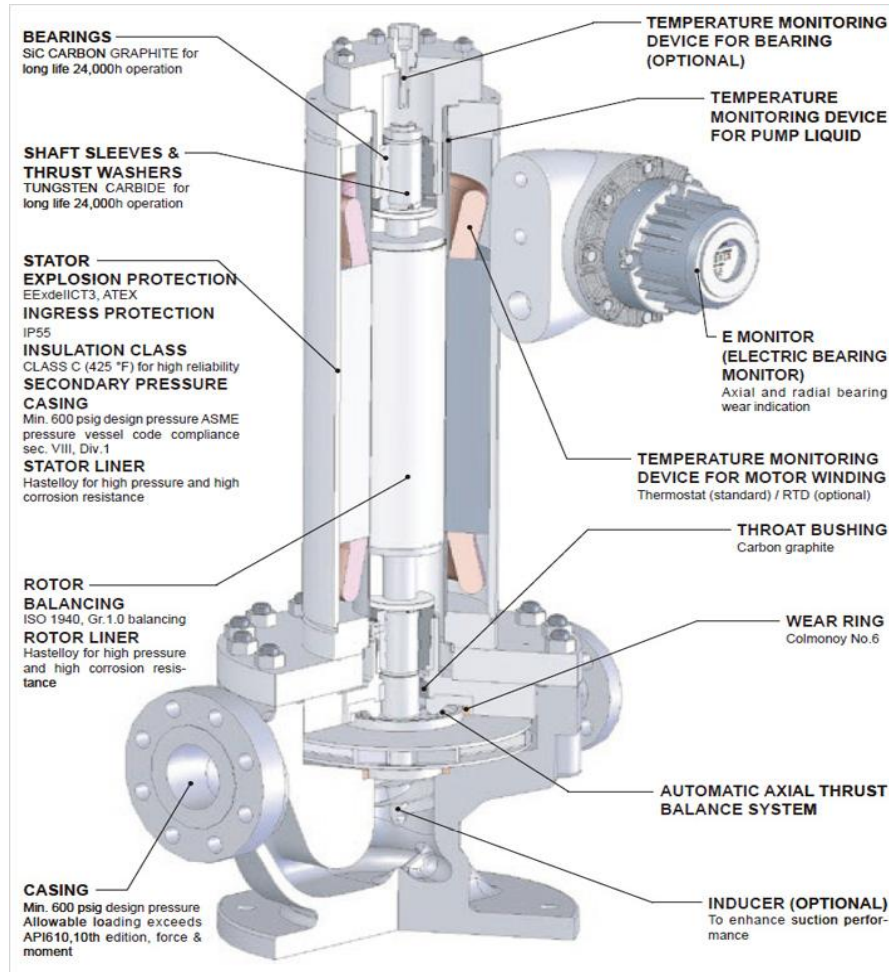


API 685 Full Compliance

NIKKISO Canned Motor Pumps that comply with both API 685* and ATEX* can be used for handling the most volatile liquids in the petroleum and chemical industries



*API 685 : Sealless Centrifugal Pumps for Petroleum, Heavy Duty Chemical, and Gas Industry Services

*ATEX : ATEX Directive (94/9/EC)

Features of Canned Motor Pumps

Canned structure

Sealed leak-proof structure integrating the pump and motor ensures environmental protection and on-site safety. Features include low noise and vibration, as well as high weather- and dust-resistance.

Advantages of canned structure

Canned structure allows high-pressure design compared with magnet pumps, which are also seal-less. Integration of the pump and motor dramatically saves space.

High maintainability

As the fluid lubricates the sliding parts, no lubrication is required. Low maintenance costs owing to a comparatively small number of parts and extensive parts compatibility.

Features of NIKKISO NON-SEAL Pump

A highly reliable bearing monitoring device, E Monitor, allows real-time monitoring of the wear of bearings, reducing lifecycle costs ranging from initial costs to running and disposal expenses.